



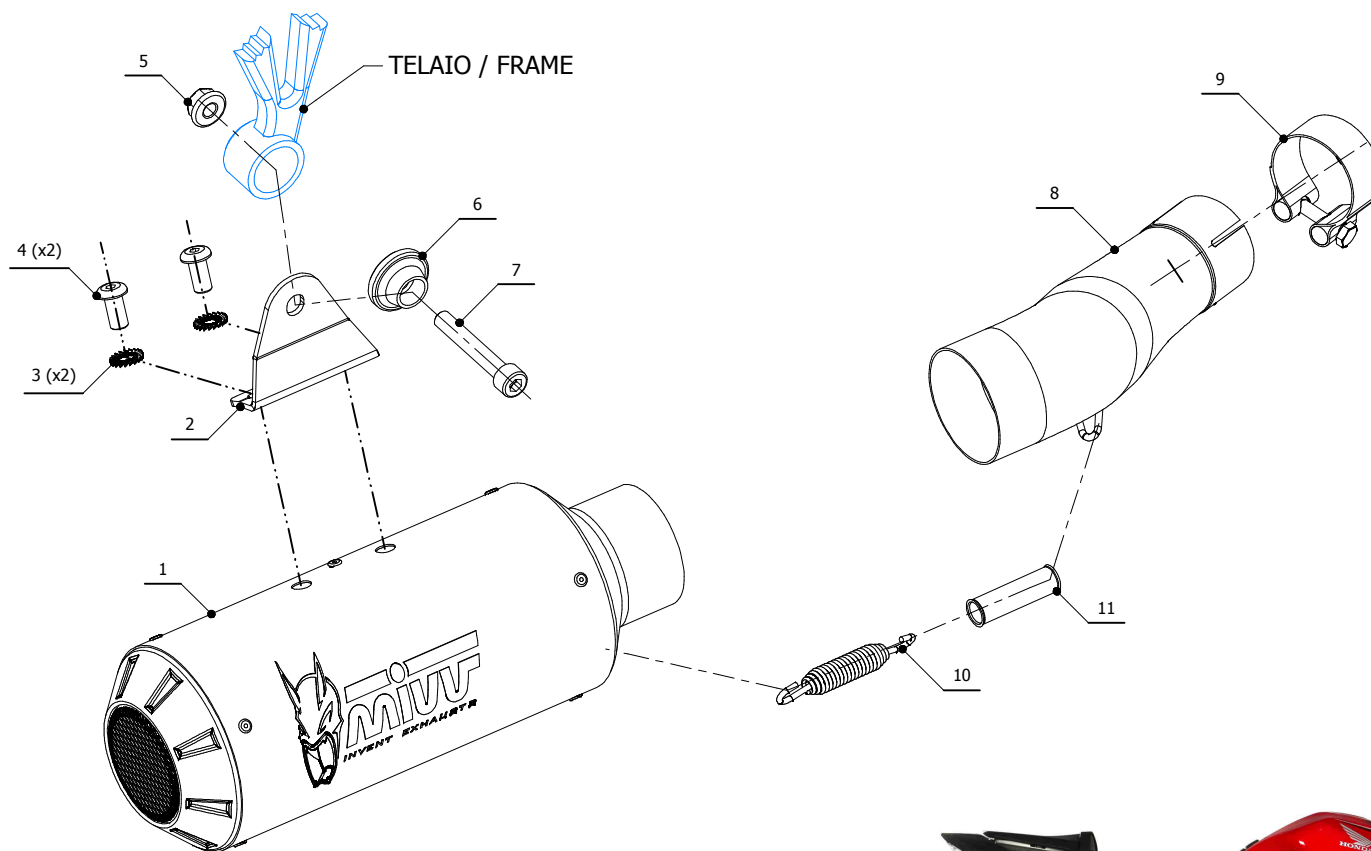
MODEL HONDA CB 500 F

YEAR 2019 ->

LINE SLIP ON

MUFFLER MK3

SCHEMATIC



ELENCO PARTI / PARTS LIST

#	QTÀ / QTY	DESCRIZIONE / DESCRIPTION	CODICE / CODE
1	1	Silenziatore / Muffler	MK3 Øi 55
2	1	Staffa / Bracket	50.SS.1177.0
3	2	Rondella di sicurezza / Safety washer	50.73.604.1
4	2	Vite M8 x 16 / Screw M8 x 16	50.73.098.1
5	1	Dado M8 flangiato / Flanged nut M8	50.73.393.1
6	1	Rondella in alluminio nera / Black aluminium washer	50.73.221.1
7	1	Vite M8x50 / Screw M8x50	50.73.074.1
8	1	Tubo di raccordo / Link pipe	9773H062S2
9	1	Fascetta Ø 44/47 mm / Pipe clamp Ø 44/47 mm	50.FA.006.1
10	1	Molla media / Mid-size spring	50.73.359.1
11	1	Tubo in gomma per molla / Rubber pipe for spring	50.73.210.1



APPLICAZIONI / APPLICATIONS

CODICE / CODE	SILENZIATORE / MUFFLER	LOGO	TUBO / PIPE
H.075.SM3B	STEEL BLACK	LASER	INOX / ST. STEEL
H.075.SM3C	CARBONIO / CARBON FIBER	ALUMINIUM LABEL	
H.075.SM3X	INOX / ST. STEEL	LASER	